



HVLP AIR CAP AND FLUID NOZZLE CHART

MODEL NO.	AIR CAPS	*MAX GUN INLET PRESS.(PSI) FOR HVLP	FAN CONTROL	SCFM @ MAX GUN INLET	AIR CAP RING	AVAILABLE FLUID NOZZLE TIPS	NEEDLES/ marking on needle
J300H	23-1010	45	60-1502 (#2)	13.5	Included	33-0210 1.0mm (.040")	40-1310 (310)
	23-1013	45		13.5		33-0213 1.3mm (.052")	40-1313 (313)
	23-1014	45		13.5		33-0214 1.4mm (.055")	40-1314 (314)
	23-1015	45		13.5		33-0215 1.5mm (.059")	40-1315 (315)
	23-1017	45		13.5		33-0217 1.7mm (.070")	40-1317 (317)
	23-1019	45		13.5		33-0219 1.9mm (.075)	40-1319 (319)
	23-1022	45		13.5		33-0222 2.2mm (.086")	40-1322 (322)

*Note: Air cap test gages are available to confirm HVLP compliance.

CONVENTIONAL AIR CAP AND FLUID NOZZLE CHART

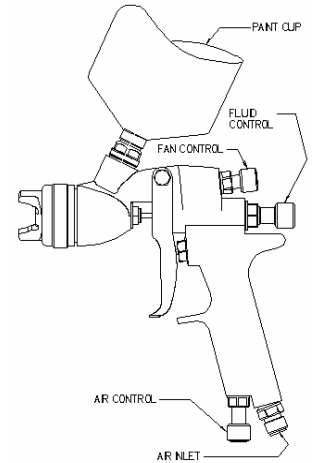
MODEL NO.	AIR CAPS	*MAX GUN INLET PRESS.(PSI) FOR HVLP	FAN CONTROL ORIFICE	SCFM @ MAX GUN INLET	AIR CAP RING	AVAILABLE FLUID NOZZLE TIPS	NEEDLES/ marking on needle
J300C	23-2013	45-55	60-1500	9-10.7	Included	33-0613 1.3mm (.051")	40-1313 (313)
	23-2014	45-55		9-10.7		33-0614 1.4mm (.055")	40-1314 (314)
	23-2016	45-55		9-10.7		33-0616 1.6mm (.063")	40-1315 (315)

Actual fluid nozzle and air cap combinations are determined by application (see application charge page 4).

Operation and maintenance instructions for *Jaguar* spray guns

Operation

1. Connect air supply hose at handle of gun (see page 1 for suggested gun inlet pressures)
2. The optional air control valve built into the gun handle can be used to adjust gun inlet pressure.
3. Screw the paint cup onto the gun's gravity feed fluid inlet.
4. Fluid flow can be controlled using the fluid control knob, this restricts flow by limiting needle travel. It is best to control fluid flow by proper selection of fluid orifice size and use the fluid control knob to "fine tune flow rate".
5. Fan width can be adjusted using fan control knob. Turning the knob clockwise narrow the fan.



Maintenance

IMPORTANT! Routine cleaning and maintenance is essential to insure proper gun operation.

Several states prohibit spraying solvent into the atmosphere and require the use of a covered gun cleaner.

1. If a gun cleaner is being used, connect and clean the gun in the gun cleaner according to the manufactures instructions.
2. If a gun cleaner is not being used:
First clean the gravity feed cup thoroughly, then spray clean solvent thru the gun until clean.

NOTE: Gun head disassembly is not recommended for normal cleaning and maintenance.

Gun head disassembly and reassembly instructions

Gun head disassembly

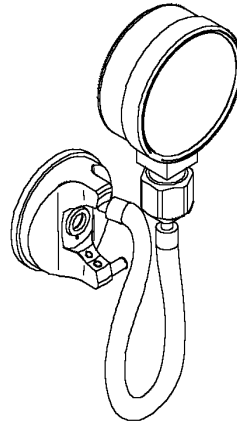
To remove the nozzle carrier (6) and air cap adapter (7):

1. Remove the air cap (2), fluid nozzle tip (3), fluid nozzle body (4), and needle (14)
2. Remove the needle seal cartridge (24)
3. Loosen the locknut (10) and remove fluid inlet (11) using an 11/16" wrench.
4. The nozzle carrier and air cap adapter will now slide forward from the gun handle (12).

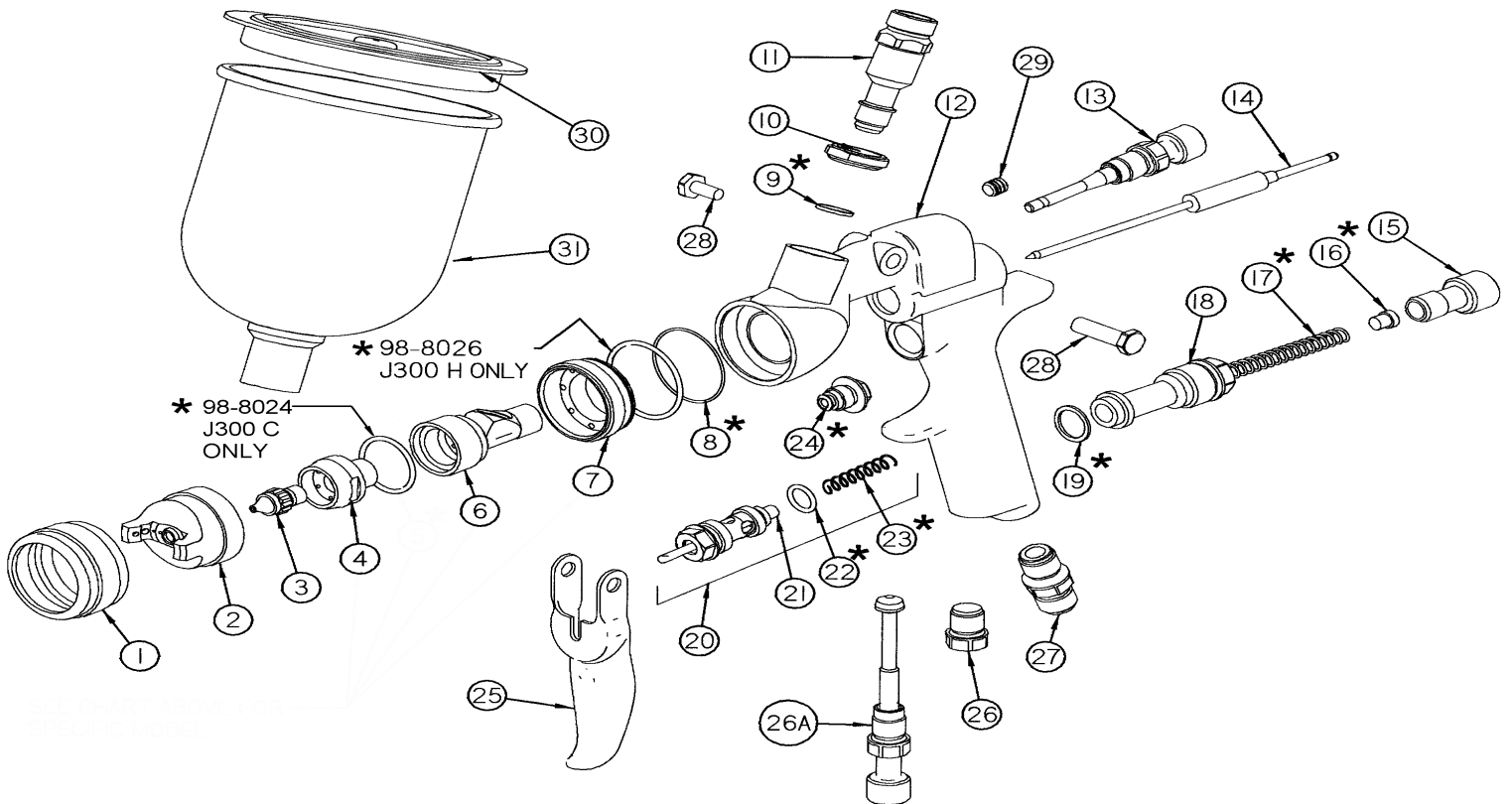
Gun head reassembly

1. Install a new o-ring (8) on the air cap adapter
2. For model L300H only, install a new o-ring 98-8026 onto the air cap adapter
3. Install the thread locknut (10) onto the fluid inlet as far as possible.
4. Install a new seal (9) onto the fluid inlet.
5. Slide the nozzle carrier (6) into air cap adapter (7) and insert into the gun body as far as possible. Be sure the nozzle carrier extends into the hole at the back of the gun head. Install the needle seal (24) but do not tighten.
6. Rotate the nozzle carrier until the fluid inlet port in the nozzle carrier is aligned with the threaded hole in the gun body.
While in this position, insert the fluid inlet (11) and hand tighten firmly. **DO NOT WRENCH TIGHTEN UNTIL STEP 8.**
7. Tighten the needle seal (24) to approx. 12 ft-lb. torque.
8. Tighten the fluid inlet (11) to approx. 25 ft-lb. torque.
9. Tighten the locknut (10) to approx. 33 ft-lb. torque.

ITEM NUMBER	PART NUMBER	DESCRIPTION
1	See Air Cap Chart	AIR CAP RING
2	See Air Cap Chart	AIR CAP
3	See Air Cap Chart	FLUID NOZZLE TIP
4	33-1201	FLUID NOZZLE BODY (for HVLP)
	31-2201 (CONV.)	FLUID NOZZLE BODY (for Conv.)
6	60-J31H (HVLP)	NOZZLE CARRIER
	60-J31C (CONV.)	NOZZLE CARRIER
7	60-J32H (HVLP)	AIR CAP ADAPTER
	60-J32C (CONV.)	AIR CAP ADAPTER
8	See Kit No. 10-105	O-RING*
9	See Kit No. 10-105	SEAL*
10	60-118	LOCKNUT
11	60-127	FLUID INLET FITTING
12	60-1113	JAGUAR GUN BODY HVLP
	60-1123	JAGUAR GUN BODY CONV.
13	See Air Cap Chart	FAN CONTROL ASSEMBLY
14	See Air Cap Chart	FLUID NEEDLE
15	60-202	FLUID CONTROL KNOB
16	See Kit No. 10-105	SPRING SEAT*
17	See Kit No. 10-105	NEEDLE RETURN SPRING*
18	60-201	REAR BUSHING
19	See Kit No. 10-105	SEAL*
20	60-1520	AIR VALVE ASSEMBLY
21	60-302**	AIR VALVE POPPET
22	See Kit No. 10-105	O-RING*
23	See Kit No. 10-105	AIR VALVE SPRING*
24	60-1400	NEEDLE SEAL CARTRIDGE*
25	60-2101	TRIGGER
26	60-122	PLUG (STANDARD)
26A	60-1510	AIR CONTROL (OPTIONAL)
27	60-104	AIR INLET FITTING
28	60-1033	TRIGGER PIVOT SET
29	98-109	ALLEN PLUG
30	51-418	FLUID INLET SEAL
31	51-401 standard 750cc	GRAVITY FEED CUP (aluminum)
	51-400 optional 750cc	GRAVITY FEED CUP (plastic)
	51-403 optional 1 liter	GRAVITY FEED CUP (aluminum)



HVLP AIR CAP TEST GAGES	
FOR J300H GUNS	23-1010-G
	23-1013-G
	23-1014-G
	23-1015-G
	23-1017-G
	23-1019-G
	23-1022-G



JAGUAR NOZZLE SELECTION CHART

Material	Orifice Size	J300H HVLP	J300C CONVENTIONAL
Filler	1.7	45 PSI @ 13.5 cfm	45-55 psi @ 9-10.5 cfm
Primer, Washprimer, Epoxy	1.4-1.7	45 PSI @ 13.5 cfm	45-55 psi @ 9-10.5 cfm
Sealer	1.4-1.7	45 PSI @ 13.5 cfm	45-55 psi @ 9-10.5 cfm
Single Stage	1.3-1.4	45 PSI @ 13.5 cfm	45-55 psi @ 9-10.5 cfm
Basecoat	1.3-1.4	45 PSI @ 13.5 cfm	45-55 psi @ 9-10.5 cfm
Clearcoat	1.3-1.4	45 PSI @ 13.5 cfm	45-55 psi @ 9-10.5 cfm
High Solids Clears	1.4-1.5	45 PSI @ 13.5 cfm	45-55 psi @ 9-10.5 cfm

KITS FOR JAGUAR GUNS J300H & J300C

HVLP KITS	Orifice Size	AIR CAP	ORIFICE (TIP)	NEEDLE
JK1010	1.7	23-1010	33-0210	40-1310
JK1013	1.4-1.7	23-1013	33-0213	40-1313
JK1014	1.4-1.7	23-1014	33-0214	40-1314
JK1015	1.3-1.4	23-1015	33-0215	40-1315
JK1017	1.3-1.4	23-1017	33-0217	40-1317
JK1019	1.3-1.4	23-1019	33-0219	40-1319
JK1022	1.4-1.5	23-1022	33-0222	40-1322
CONVENTIONAL KITS				
JK2010	1.0	23-2010	33-0610	40-1310
JK2013	1.3	23-2013	33-0613	40-1313
JK2014	1.4	23-2014	33-0614	40-1314
JK2016	1.6	23-2016	33-0616	40-1315